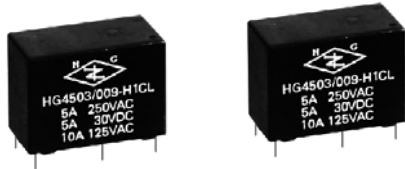


Subminiature PCB Power Relay

HG4503



FEATURES

- 5A to 10A contact capacity
- Subminiature design
- 1 Form A, 1 Form C contact form
- Sealed and dust cover version for choice
- UL, CUR approved

TYPICAL APPLICATIONS

- Household appliances
- Office machine
- Vending machine
- Audio equipment

CONTACT RATING

Form	1 Form A (H), 1 Form C (Z)
Rated Load	5A, 250VAC/30VDC (NO) 10A, 125VAC (NO) 3A, 250VAC/30VDC (NC)

CONTACT DATA

Material	AgCdO	
Initial Contact Resistance	100 mΩ max. at 1A, 24VDC	
Service Life	Mechanical	10 ⁷ ops.
	Electrical	10 ⁵ ops.

COIL DATA

Coil Voltage Code	Nominal Voltage (VDC)	Resistance (Ω) ±10%				Must Operate Voltage max. (VDC)	Must Release Voltage min. (VDC)
		Power Consumption					
		Standard		Sensitive			
003	3	20	0.45W	45	0.2W	2.25	0.15
005	5	55		125		3.75	0.25
006	6	80		180		4.50	0.30
009	9	180		400		6.75	0.45
012	12	320		720		9.00	0.60
018	18	720		1600		13.50	0.90
024	24	1280		2800		18.00	1.20

CHARACTERISTICS

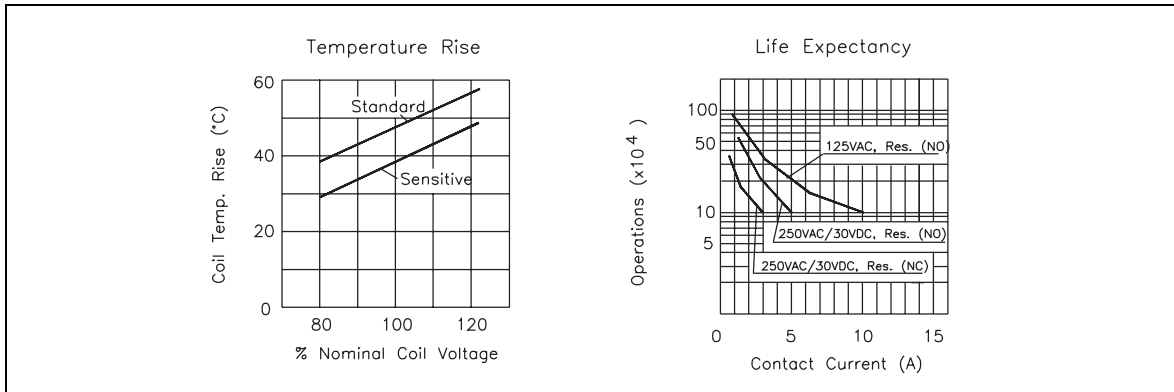
Operate Time	8 ms.
Release Time	5 ms.
Insulation Resistance	1000 MΩ, at 500 VDC, 50%RH
Dielectric Strength	4000 Vrms, 1 min. between coil and contacts 1000 Vrms, 1 min. between open contacts
Shock Resistance	10 g, 11ms. functional; 100 g, destructive
Vibration Resistance	DA 1.6 mm, 10 - 55 Hz
Ambient Temperature	-40°C to 70°C
Weight	7 g, approx.

ORDERING DESIGNATION

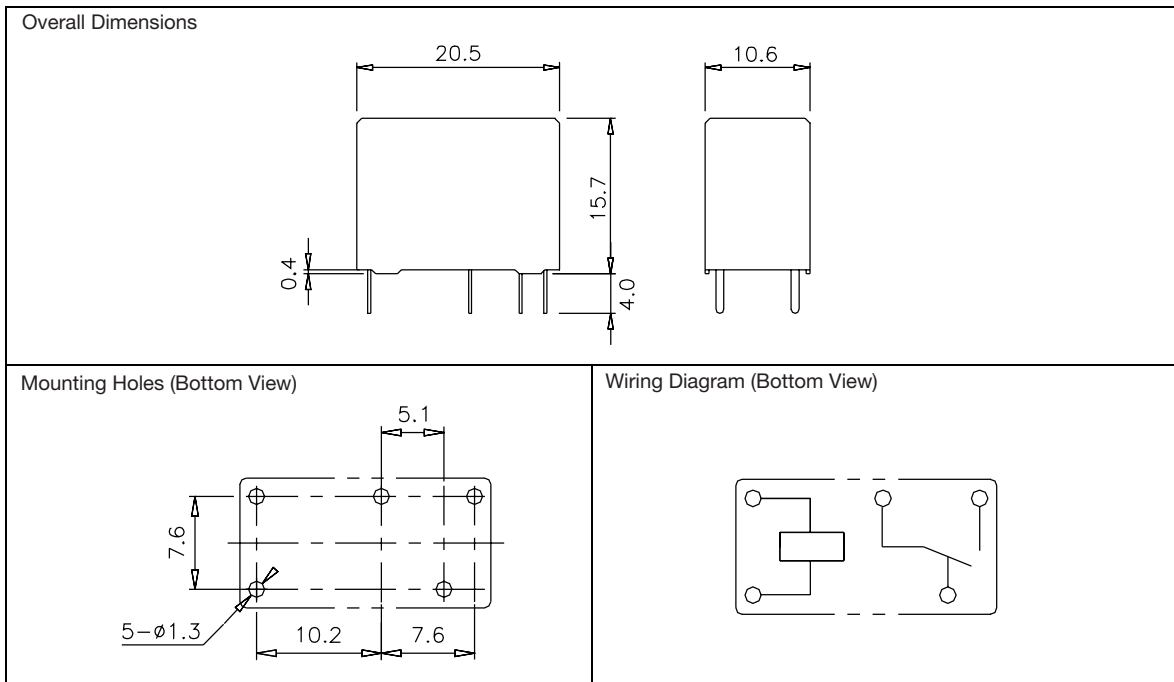
Example:	HG4503 /	012 -	H	1	C	L
Model						
Coil Voltage Code						
Contact Form						
H: 1 Form A						
Z: 1 Form C						
Version						
1: Sealed, 2: Dust Cover						
Contact Material						
C: AgCdO; S: AgSnOInO						
Coil Sensitivity						
Nil: Standard 0.45W; L: Sensitive 0.2W*						

*Note: Sensitive 0.2W (L) is only available for 1 Form A (H)

REFERENCE CURVES



OVERALL DIMENSIONS, MOUNTING HOLES AND WIRING DIAGRAM (mm)



NOTES

1. All parameters, unless otherwise specified, are measured at ambient temperature 23°C.
2. Custom-made services available with operational quantity. Please let us know your special requirements.
3. Specifications subject to change without prior notice.